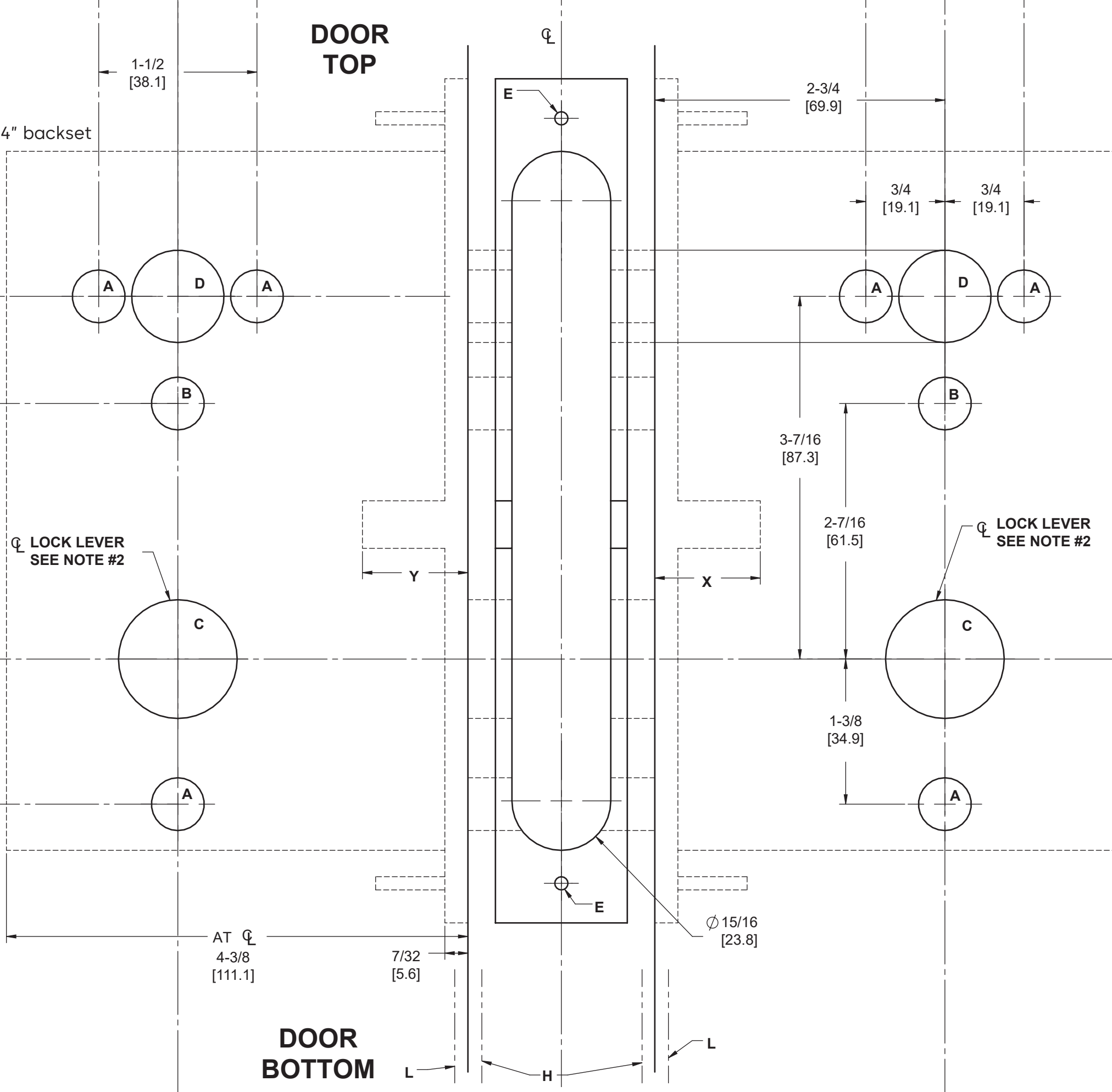
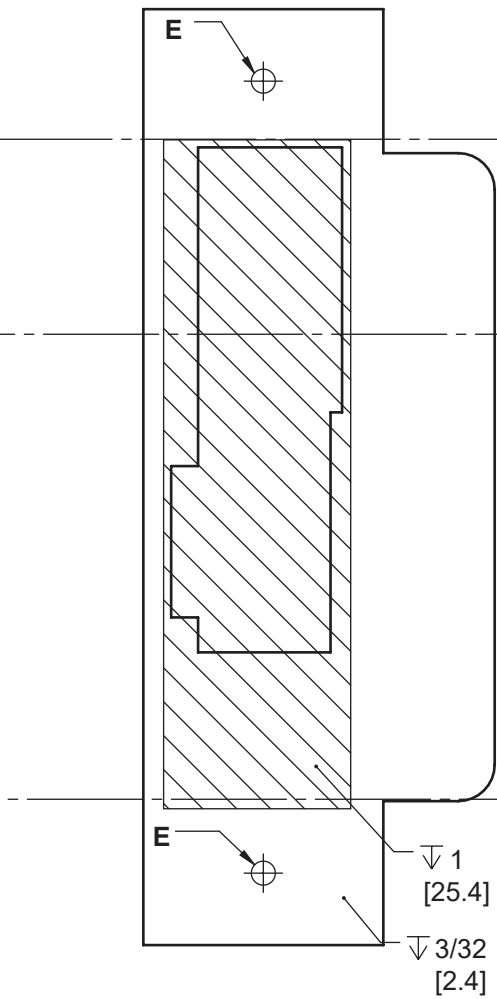


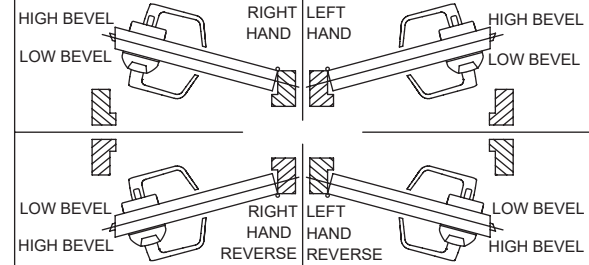
Saffire LX-M & Saffire EVO LZ-M

Mortise ASM 1-1/4" faceplate, 2-3/4" backset
Drilling template

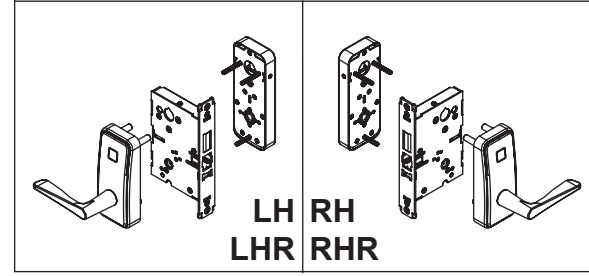


| HOLE ID | DIM inch | DIM [mm] | COMMENTS |
|---------|----------|----------|------------------------|
| A | Ø 1/2 | Ø12.5 | * |
| B | Ø 1/2 | Ø12.5 | * ONLY IF THUMBTURN |
| C | Ø 1-1/8 | Ø 31.5 | * |
| D | Ø 7/8 | Ø 22 | * |
| E | Ø 1/8 | Ø 3.2 | ∇ 7/8 [22] |
| X | ∇ 1 | ∇ 25.4 | ONLY IF RH OR LHR LOCK |
| Y | ∇ 1 | ∇ 25.4 | ONLY IF LH OR RHR LOCK |

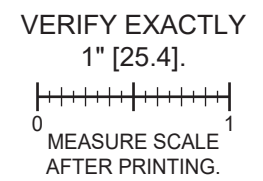
* UNLESS OTHERWISE NOTED, DRILL HALF DOOR THICKNESS ON BOTH SIDES.



- NOTES:
- FOR DIMENSIONS AND TOLERANCES REFER TO CORRESPONDING DOOR PREPARATION DRAWING IP-515905
 - MORTISE TO BE INSTALLED BY ALIGNING IT WITH THE LOCK LEVER \mathcal{C}
 - FOLDING LINES HIGH (H) AND LOW (L) FOR BEVEL EDGES SHOWN ARE FOR DOOR WITH 3° BEVEL ANGLE
 - SYMBOLS:
 - ∇ DEEP
 - \mathcal{C} CENTERLINE OF DOOR
 - Ø DIAMETER
 - ALL DIMENSIONS ARE IN INCHES [mm]



TEMPLATE TO SCALE 1:1, FULL SIZE



WARNING

- To verify lock coverage and door operation meets expectations, dormakaba strongly recommends completing a full door mockup. This will ensure that all necessary products and parts for a successful installation are included.
- Always validate that you have selected the correct template for specific lock model being installed. The same lock model can be offered with different locking device options.
- Always validate after printing to confirm the dimensions listed on the drawing have printed on a 1:1 scale.
- If you have any questions, please contact your local sales representative or authorized reseller.